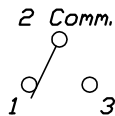
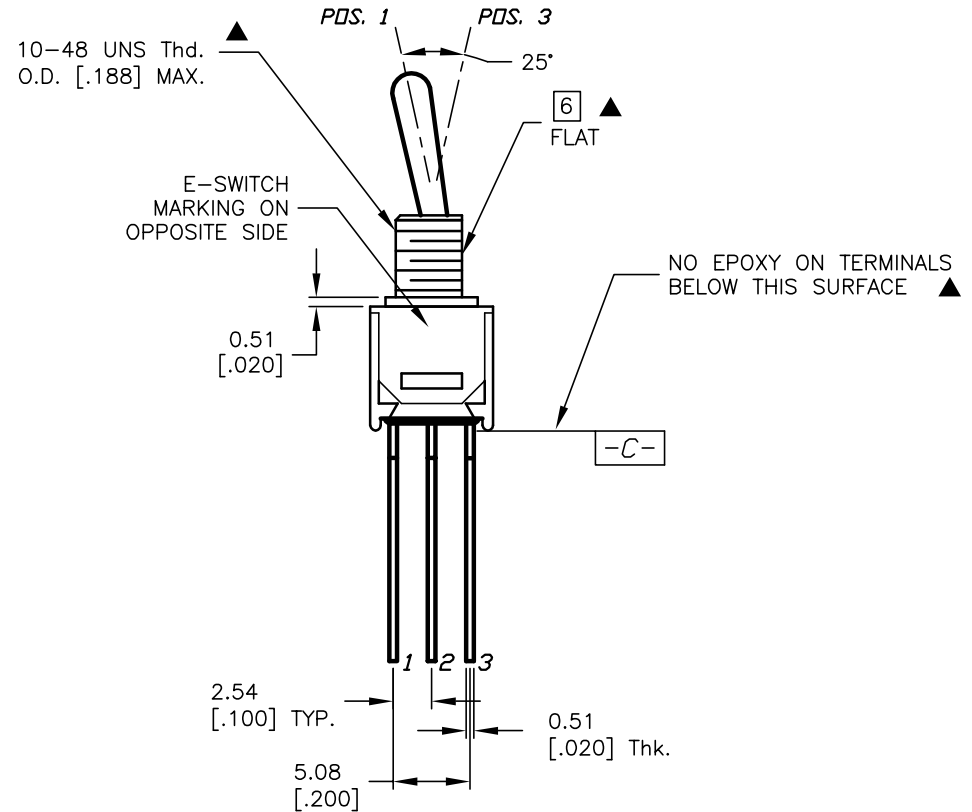
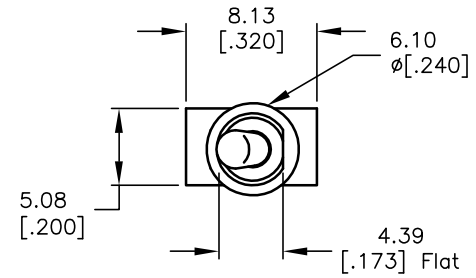
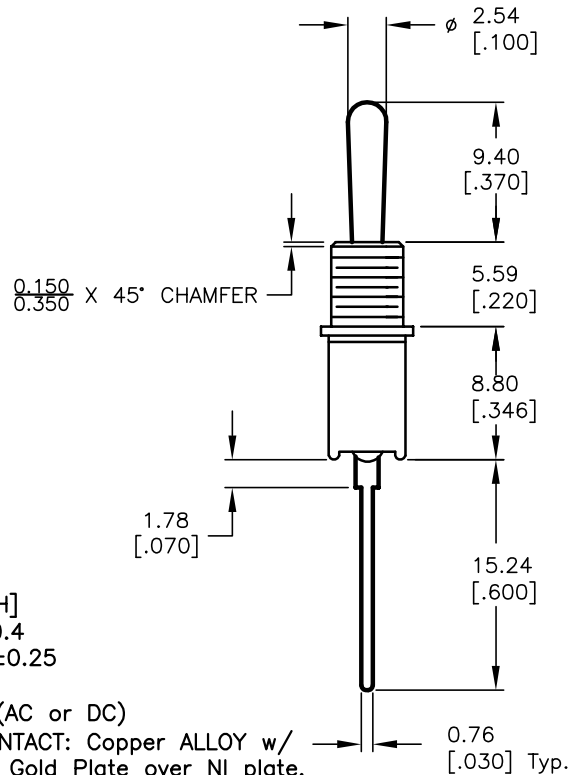


SWITCH FUNCTION		
PDS. 1	PDS. 2	PDS. 3
ON	NONE	ON
2-3	NONE	2-1

ⓑ



CIRCUIT: SPDT
CONTACT CONFIGURATION



NOTES:

1. ALL DIMENSIONS IN MM [INCH]
2. GENERAL TOLERANCE: X.X=±0.4
X.XX=±0.25
3. TERM. NOS. FOR REF. ONLY
4. RATING: 0.4(VA) max. @20V (AC or DC)
- ▲ 5. FIXED TERMINAL & MOVING CONTACT: Copper ALLOY w/
Gold Plate over NI plate.
6. ELECTRICAL LIFE: 30,000 make-and-break cycles
at full load.
7. DIELECTRIC STRENGTH: 1,000 V RMS @sea level.
8. OPERATING TEMP.: -40°C to 85°C
9. HARDWARE: ONE MOUNTING NUT, LOCKING RING AND
LOCKWASHER SUPPLIED WITH EACH SWITCH.

E-SWITCH®

B	13636	CORRECT SWITCH FUNCTION	12/3/03	AR
A	13444	RELEASED FOR PRODUCTION	9/11/03	AR
REV.	ECN No.	DESCRIPTION	DATE	CHKD

TITLE				
200MSP1T1B1M5RE				
SCALE	DATE	DR	DWG	REV
2:1	9/11/03	AR	T211099	B

THE INFORMATION CONTAINED IN THIS DOCUMENT IS PROPRIETARY TO E-SWITCH AND IS NOT TO BE COPIED OR TRANSFERRED